

## Switches

# Press-Pack IGBT Assembly

**Solid state high voltage, high  
current switch**

### General Applications

- Medical systems
- Beam accelerators
- Wind converters
- Industrial drives
- Customizable for a wide range of applications

### Features

- Working voltage up to 20kV
- Up to 10kHz operating frequency
- Any mounting position possible
- Convection, forced air or liquid cooling
- Ready to use with integrated high voltage isolated power supply
- Current measurement on module level
- Gate units with current loop power supply for maximum 16 modules
- Programmable turn-on / turn-off behaviour

### Options

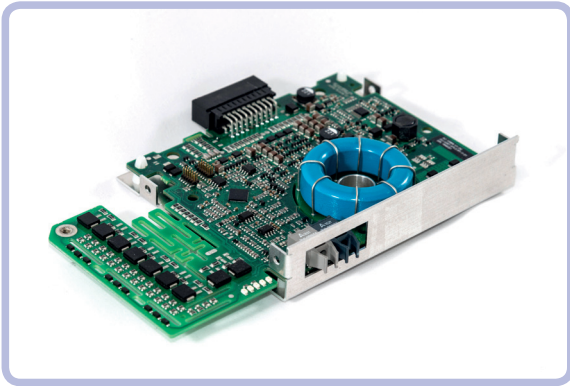
- Overall controller designed and manufactured by Astrol
- Reprogrammable gate units via fibre optic link
- Online diagnosis of the gate units via optical link (module voltage, switching time, pulse waveform, etc.)



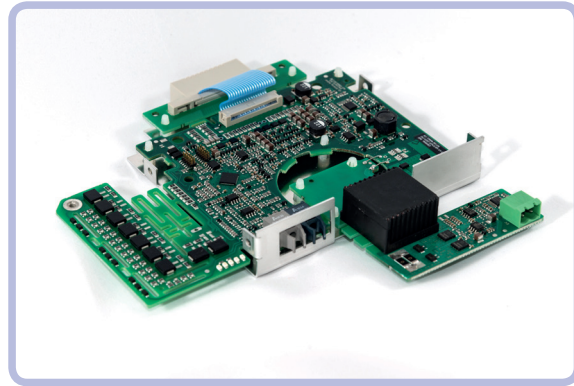
Example of stack with 5SNA3000K452300 IGBT modules



## Gate unit versions

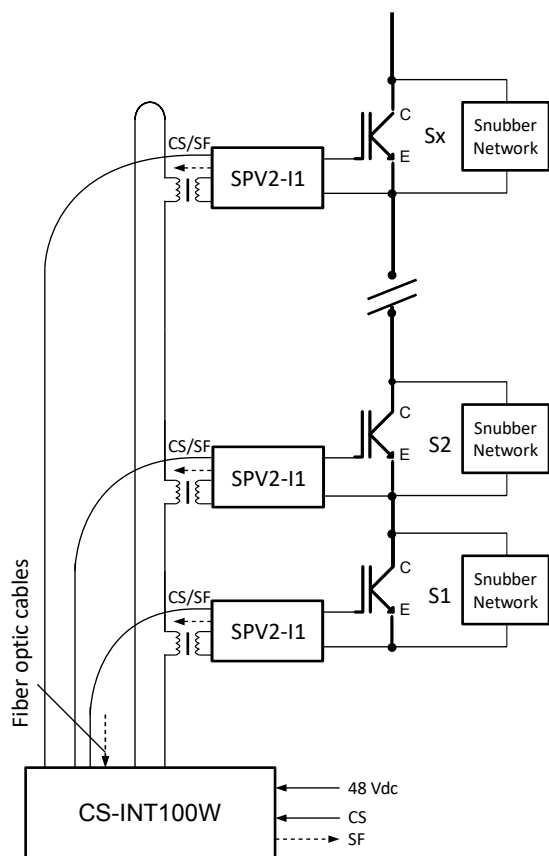


**SPV2-I1**  
High voltage isolated power supply by current loop

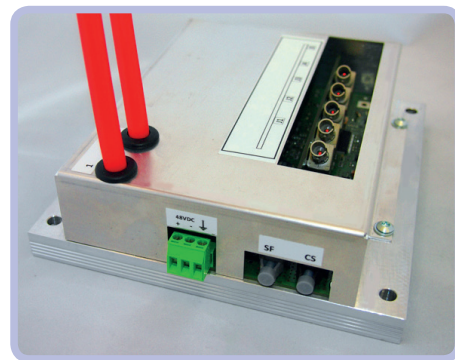


**SPV2-V1**  
Customized DC power supply by high-voltage transformer

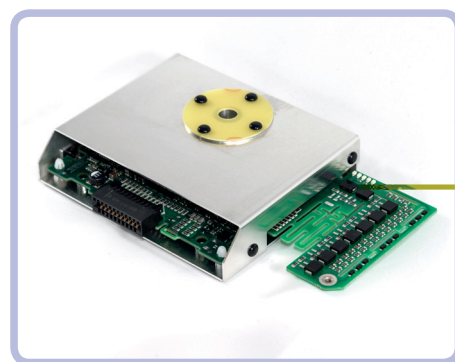
## Diagram (current loop power supply)



## Details



Power Supply / Optical Interface: CS-INT100W



Gate Unit: GU-IGBT-SPV2-I1

Order code	Description	Version
upon request		

## Contact

**Astrol Electronic AG**  
Ahornweg 14  
CH-5504 Othmarsingen

Phone +41 56 485 60 20  
Fax +41 56 485 62 42

info@astrol.ch  
www.astrol.ch

